

# Drum-Stir Bayonet-Mount Drum Mixer

## General Description

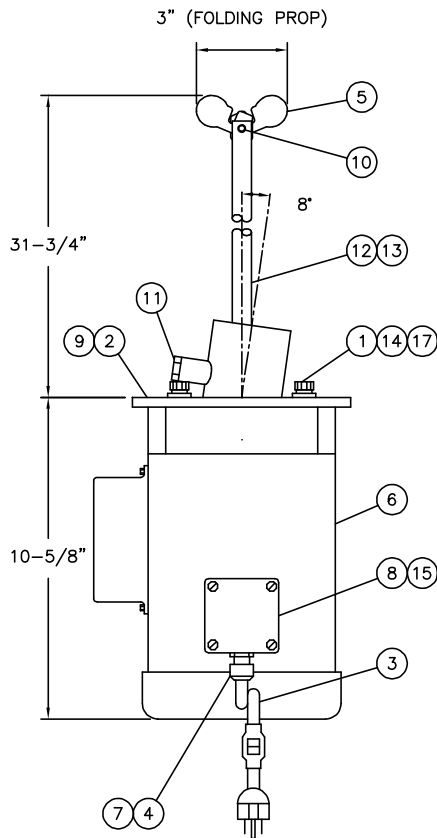
The Drum-Stir is a simple but important improvement over screw-in or clamp-mount drum mixers. The Drum-Stir features a unique mounting system that's easy to install and provides the most thorough mixing. With the mixer, the impeller can be centered in the drum instead of up against one side. The shaft and impeller don't hit the inside wall of the drum during installation. When the top of the drum sags, as they sometimes do, the impeller won't be pushed into the drum wall. See the drawings on reverse. (U.S. Patent No. 4,981,367)

## Specifications

Motor	1.2 H.P TEFC 1725 RPM
Shaft	304 SS, 5/8" (15.9 mm) dia x 28" (711.2mm)
Impeller	304 SS, collapsible, 4" (101.6 mm) dia. (open)
Mount	1/4" (6.35 mm) mild steel plate epoxy powder coated, 2" (50.8 mm) NPT bung mounted
Electrical	120 VAC / 1 pH / 60 Hz / 7.4 amps. Also available - 220 VAC / 1 pH / 50 Hz
Cord	18 AWG-3 (8 ft. long) with grounded plug and on-off switch. UL-CSA approved
Weight	34 lbs. (15.5 kg)



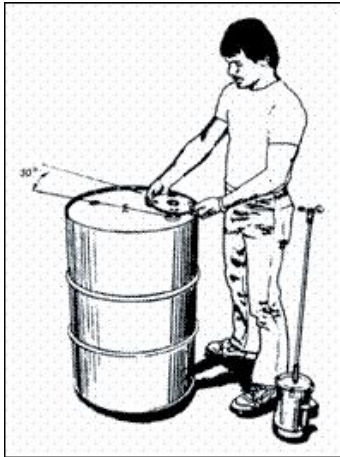
## General Layout



## Key Description

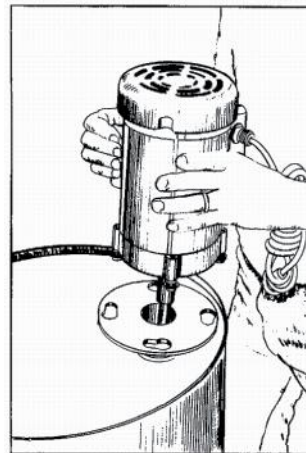
1	Bolt, Hex, HD., S.S., 3/8" (9.5mm) - 16 (0.63) x 1" L (25.4mm)
2	Bracket, Bayonet Mounting Plate, Mixer
3	Cable Assy w/Switch & Plug, 18GA., (3) Conductor
4	Connector, Electrical, 1/2" (12.7mm)
5	Fin, Impeller, S.S., Collapsible Blade
6	Motor, 1/2 HP, 120 VAC, 1725 RPM
7	Nut, Lock, Conduit, 1/2" (12.7mm)
8	Nut, Wire Crimpon (Inside)
9	"O"-Ring, Buna, 4-1/2" (114.3mm) I.D. x 4-7/8" (123.83mm) O.D. x 3/16" (4.8mm) THK
10	Pin, Tension, Roll, S.S., 1/4" (6.35mm) O.D. x 1" (25.4mm) L
11	Plug, PVC, 3/4" (19.05mm) (M)NPT
12	Screw, Set PNT., S.S., 1/4" (6.35mm) -20 (.79) x 1/4" (6.35mm) L
13	Shaft, Drum Mixer, S.S
14	Spacer, S.S., 3/8" (9.53mm) I.D. x 9/16" (14.3mm) O.D. x 15/32" (.5mm) L
15	Terminal, Forked, #10BOLT
16	Tool, Allen Wrench, 1/8" (3.175mm), "L" Shaped (See Note #1)
17	Washer, Flat, S.S., 3/8" (9.53mm)

## Installation Instructions



### Step 1

Install mounting flange in 2" (5.1 mm) bung opening. Tighten by hand until flange is firmly seated. Make sure highest edge of flange is pointed away from centerline of drum as shown by arrows in drawing.



### Step 2

Mount Motor/Shaft Assembly

Insert mounting lugs through lane portion of "key holes". Turn to right to lock Plug mixer into properly grounded electrical service. Turn mixer on with cord mounted switch.

**UGSI Chemical Feed, Inc.**  
 1901 West Garden Road  
 Vineland, NJ 08360  
 Toll Free: 855-669-3845  
 Local: 856-896-2160  
 Fax: 856-457-5920  
 Email: [info@ugsichemicalfeed.com](mailto:info@ugsichemicalfeed.com)  
 Website: [www.ugsichemicalfeed.com](http://www.ugsichemicalfeed.com)

© 2014 UGSI Chemical Feed, Inc.  
 Subject to change without prior notice.  
 Literature No. CF480.364.PD4.PS.0714

Polyblend® is a trademark of UGSI Chemical Feed, Inc.

The information provided in this literature contains merely general descriptions or characteristics of performance which in actual case of use do not always apply as described or which may change as a result of further development of the products. An obligation to provide the respective characteristics shall only exist if expressly agreed in the terms of a written contract.