

# PolyBlend® Polymer Feed System

## M-Lo Series

The PolyBlend® M-Lo Series polymer feed system offers all of the benefits of the best available polymer preparation technology at a new competitive price. The ready-to-install system provides consistent and accurate dosage and improves polymer efficiency.

The PolyBlend® M-Lo System is engineered for easy installation and maintenance. The compact size of the feeder allows trouble-free installation in confined spaces and the open-frame design facilitates easy component access.

The REM-1E controller is included to provide speed control for the neat polymer pump. The easy to read LCD display indicates strokes per minute (SPM) or strokes per hour (SPH). The microprocessorbased controller is housed in a NEMA 4X enclosure.

The PolyBlend® M-Lo Series polymer feed system is available in several models. The versatility of the PolyBlend® M-Lo System provides a choice of wide range of dosage rates. Multiple configurations offer the flexibility for most polymer feed applications.

### Specifications

Power	115 VAC / 60 Hz / 1 Phase / 10A
Dimensions (W x H x D)	685.8 x 673.1 x 228.6 mm 27" x 26.5" x 9"
Polymer pump	Electronic Metering
Material	304 SS Frame / PVC
Controls	Microprocessor-based REM-1E
Connections	Water In: 12.7 mm (F) NPT (1/2") Discharge: 19.05 mm (F)NPT (3/4") Polymer: 12.7 mm (F)NPT (1/2")

### Key Benefits

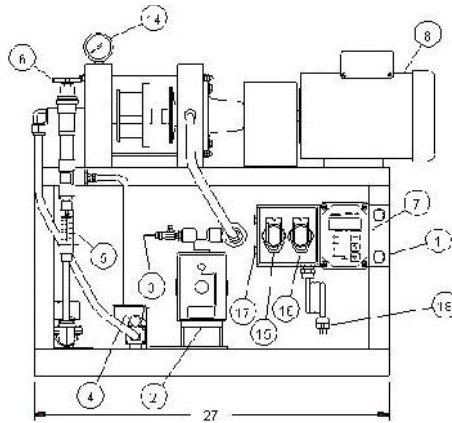
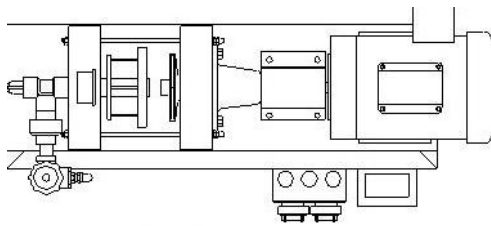
- Improved polymer efficiency
- Easy installation & maintenance
- Rugged & reliable design
- Direct drive mix chamber
- Pump interchangeability
- Simple electronic controls
- Competitive price



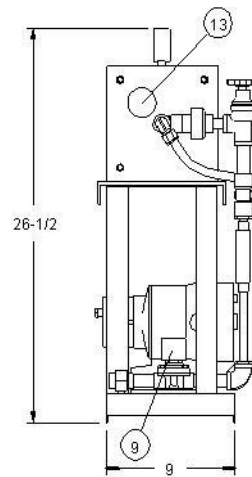
## Model Selection

Model	Pump Output		Flowmeter Range		Polymer Connection (F)NPT		Water Connection		Discharge	
	LPH	GPH	LPH	GPH	mm	in	mm	in	mm	in
M20-0.4	1.5	0.4	11.4 - 83.3	3 - 22	12.7	1/2"	12.7	1/2"	19.1	3/4"
M20-1	3.8	1.0	11.4 - 83.3	3 - 22	12.7	1/2"	12.7	1/2"	19.1	3/4"
M60-0.4	1.5	0.4	22.8 - 227.1	6 - 60	12.7	1/2"	12.7	1/2"	19.1	3/4"
M60-1	3.8	1.0	22.8 - 227.1	6 - 60	12.7	1/2"	12.7	1/2"	19.1	3/4"
M120-0.4	1.5	0.4	45.4 - 454.2	12 - 120	12.7	1/2"	12.7	1/2"	19.1	3/4"
M120-1	3.8	1.0	45.4 - 454.2	12 - 120	12.7	1/2"	12.7	1/2"	19.1	3/4"
M120-2.5	9.5	2.5	45.4 - 454.2	12 - 120	12.7	1/2"	12.7	1/2"	19.1	3/4"

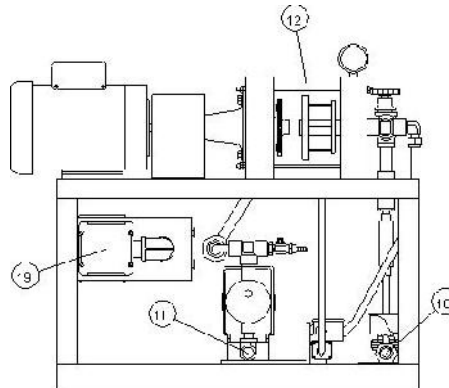
## General Layout



FrontView



Left Side View



Rear View

Key	Description
1	Base Assembly
2	Solenoid Valve
3	Priming Port, Pump
4	Differential Pressure Switch
5	Flowmeter
6	Flow Control Valve
7	Digital Display Pump Controller, REM-1E
8	Motor
9	Solenoid Valve
10	Water Inlet
11	Polymer Inlet
12	Mix Chamber Assembly
13	Solution Discharge
14	Pressure Gauge
15	On/Off Main Power Switch
16	Mixer Motor Switch
17	Fuse (Qty 2)
18	Power Cord
19	DP Switch Relay Box

Water Process Solutions Ltd.  
Unit 10, Mill Hall Business Estate,  
Aylesford, Kent. ME20 7JZ  
United Kingdom.

© 2014 UGSI Chemical Feed, Inc.  
Subject to change without prior notice.  
Literature No. CF.480.330.MLO.PS.0714

Polyblend® is a trademark of UGSI Chemical Feed, Inc.

The information provided in this literature contains merely general descriptions or characteristics of performance which in actual case of use do not always apply as described or which may change as a result of further development of the products. An obligation to provide the respective characteristics shall only exist if expressly agreed in the terms of a written contract.

Tel: +44(0)1622 719945  
Email: [enquiries@waterprocesssolutions.com](mailto:enquiries@waterprocesssolutions.com)  
Web Site: [www.waterprocesssolutions.com](http://www.waterprocesssolutions.com)