

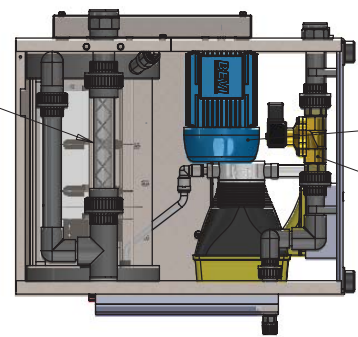
PRIMARY DILUTION FLOWMETER

SECONDARY DILUTION FLOWMETER

REM\_1 POLYMER DOSING PUMP CONTROL

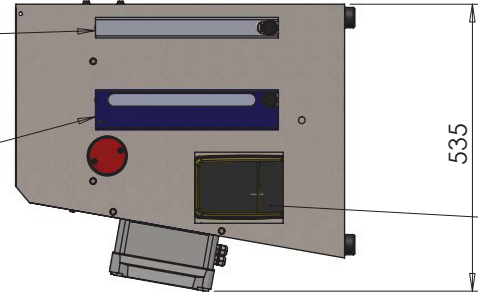
MAIN SWITCH BOX

STATIC MIXER ASSY. ( SECONDARY DILUTION )

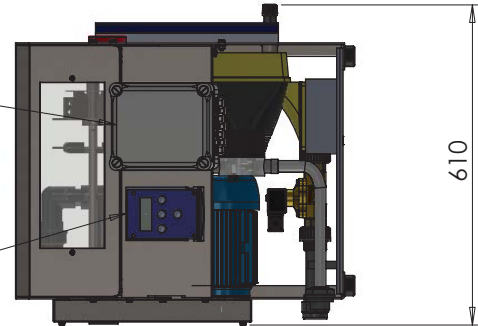


CHAMBER DRIVE MOTOR (0.37KW)

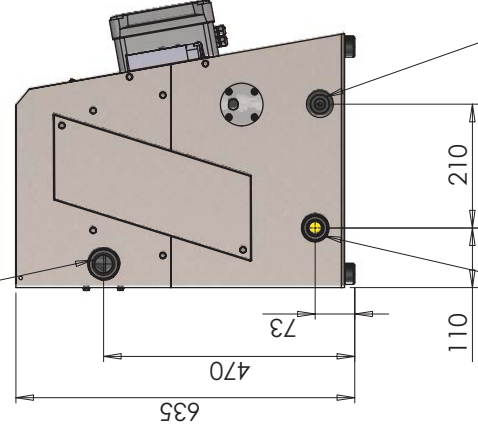
WATER SOLENOID VALVE



POLYMER DOSING PUMP



FINAL SOLUTION OUTLET 1-1/4" BSPM/ Ø 30 mm HOSETAIL



POLYMER INLET Ø 16mm HOSETAIL

WATER INLET 1" BSPM/ Ø 30mm HOSETAIL



**PART NO.**  
PB1000 SERIES

**TITLE:** GENERAL ARRANGEMENT DRAWING

<b>ISS NO.</b> 01	<b>PROJECT NO.</b>
<b>MATERIAL:</b>	<b>SCALE:</b> 1 / 10
<b>WEIGHT:</b>	<b>REVISION DATE:</b> 27/04/2016
<b>DWG NO.</b> SK433	
SHEET 1 OF 1	
<b>A3</b>	

<b>NAME</b>	<b>DATE</b>
J.W	27/04/2016
T.F	27/04/2016
T.F	27/04/2016

**UNLESS OTHERWISE SPECIFIED:**  
DIMENSIONS: ALL IN MM.  
SURFACE FINISH:  
TOLERANCES: + / - 0.1 mm

THIRD ANGLE PROJECTION

F 2 3 4 5 6 7 8

E 2 3 4 5 6 7 8

D 2 3 4 5 6 7 8

C 2 3 4 5 6 7 8

B 2 3 4 5 6 7 8

A 2 3 4 5 6 7 8