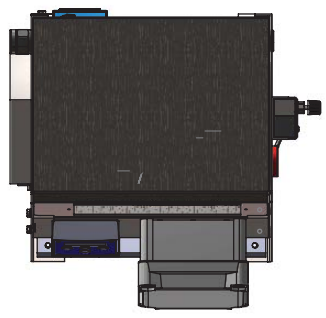
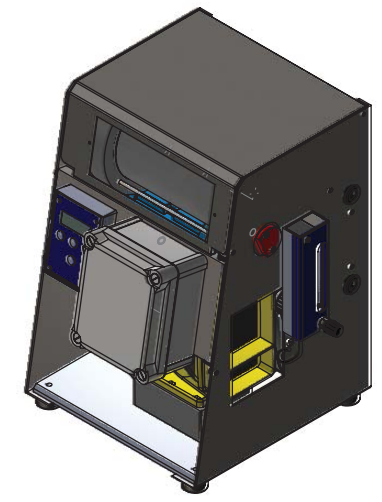


8 7 6 5 4 3 2 1

F
E
D
C
B
A

F
E
D
C
B
A

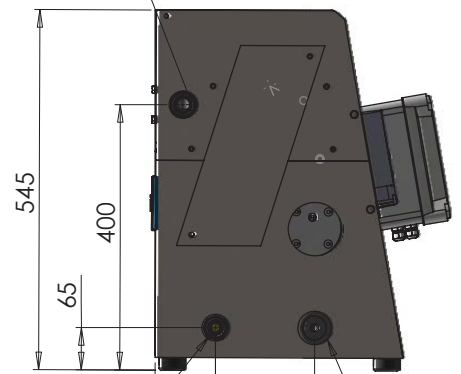


FINAL SOLUTION OUTLET
3/4" BSPF / Ø25mm
HOSETAIL

REM_ID POLYMER
DOSING PUMP CONTROL

MAIN SWITCH BOX

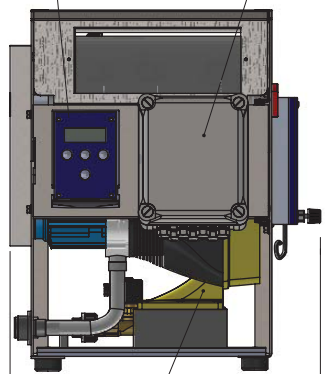
PRIMARY DILUTION FLOWMETER
C/W ADJUSTABLE LOW-FLOW SWITCH



WATER INLET
1/2" BSPF /
Ø20mm
HOSETAIL

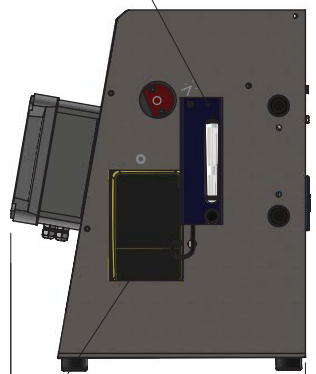
POLYMER INLET
Ø15MM HOSETAIL

90 150



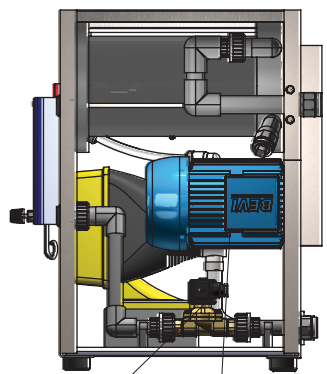
POLYMER
DOSING PUMP

465



POLYMER DOSING PUMP
CONTROL FRONT PANEL

440




WATER
SOLENOID
VALVE

CHAMBER DRIVE
MOTOR (0.37KW)



| | NAME | DATE |
|-----------|------|------------|
| DRAWN BY | J.W | 09/03/2016 |
| CHK'D BY | T.F | 09/03/2016 |
| APPV'D BY | T.F | 09/03/2016 |

| | | | |
|--|--|------------------------------|---|
| PART NO. | TITLE: GENERAL ARRANGEMENT DRAWING | |  |
| | MATERIAL: | ISS NO. 01 | |
| WEIGHT: | | SCALE: 1 / 8 | DWG NO. SK394 |
| UNLESS OTHERWISE SPECIFIED: DIMENSIONS: ALL IN MM. SURFACE FINISH: TOLERANCES: +/- 0.1 mm | | REVISION DATE: 09/03/2016 | SHEET 1 OF 1 A3 |

8 7 6 5 4 3 2 1