

8

7

6

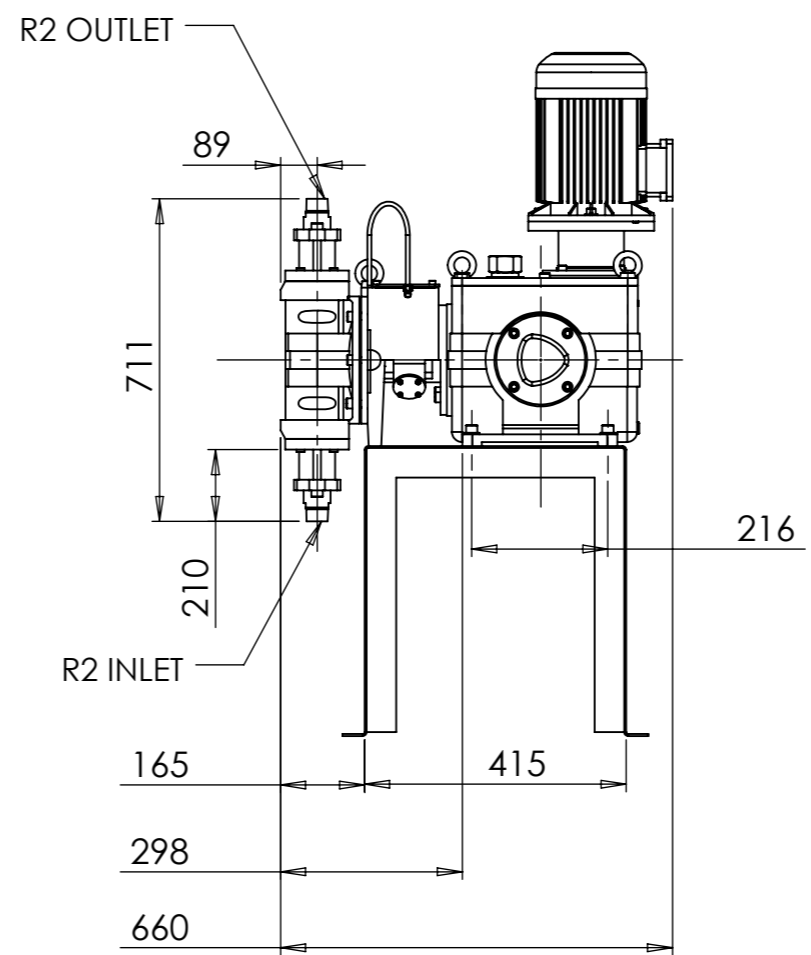
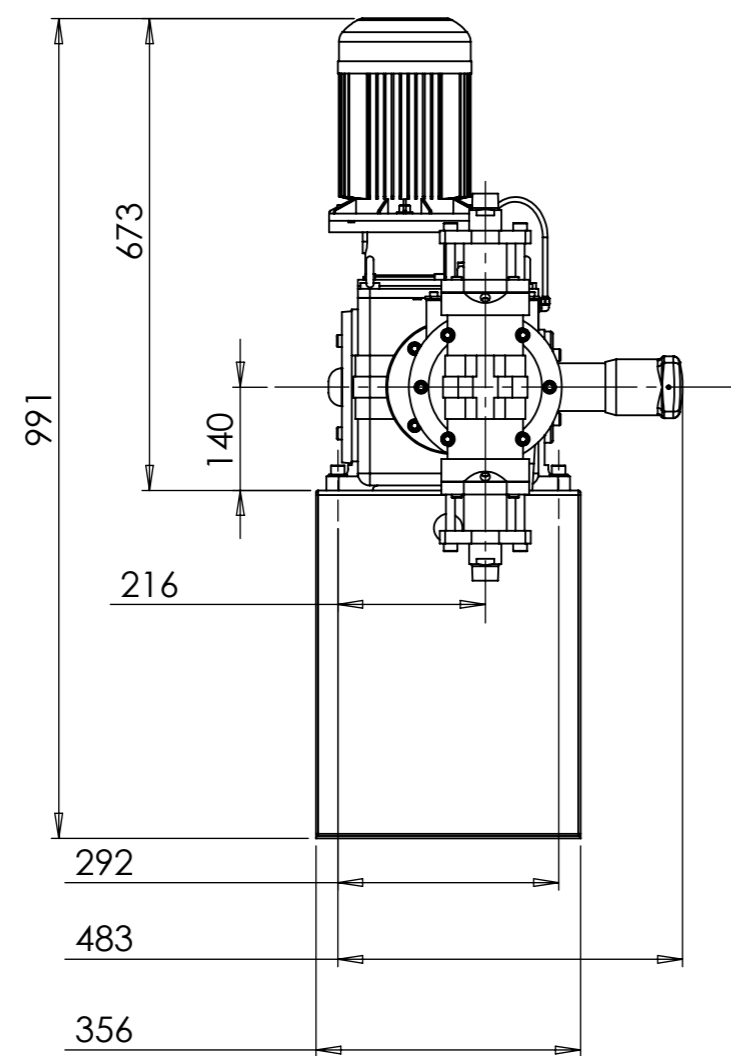
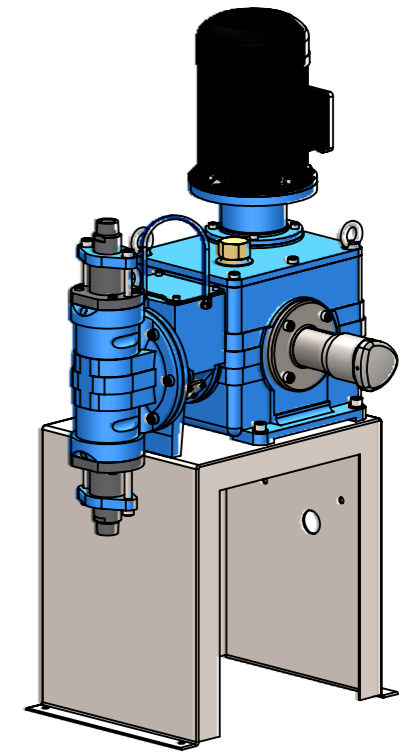
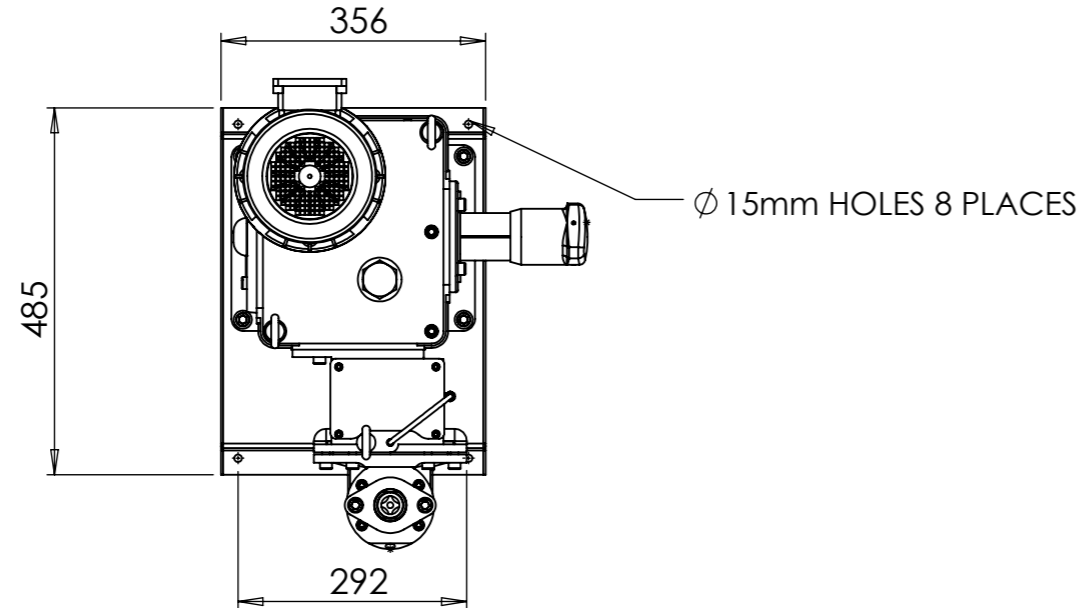
5

4

3

2

1



NOTE: ALL SIZES ARE IN MM. SOME SIZES MAY VARY DEPENDING ON MOTOR / STROKE POSITIONER VARIANT. THESE SIZES ARE TYPICAL OF 2000 LPH CHEMTUBE PUMPS.



	NAME	DATE
DRAWN BY	J.W	08/09/2016
CHK'D BY	T.F	08/09/2016
APPV'D BY	T.F	08/09/2016

PART NO.	TITLE: CHEMTUBE 2000 [2000 LPH] TUBULAR DIAPHRAGM PUMP - SIMPLEX MANUAL SPACE REQUIREMENTS			
UNLESS OTHERWISE SPECIFIED: DIMENSIONS: ALL IN MM.	MATERIAL:	ISS NO. 01	PROJECT NO.	
SURFACE FINISH:	WEIGHT:	SCALE: 1 / 12		DWG NO.
TOLERANCES: +/- 0.1 mm			REVISION DATE:	SHEET 1 OF 1
				A3

8

7

6

5

4

3

2

1